

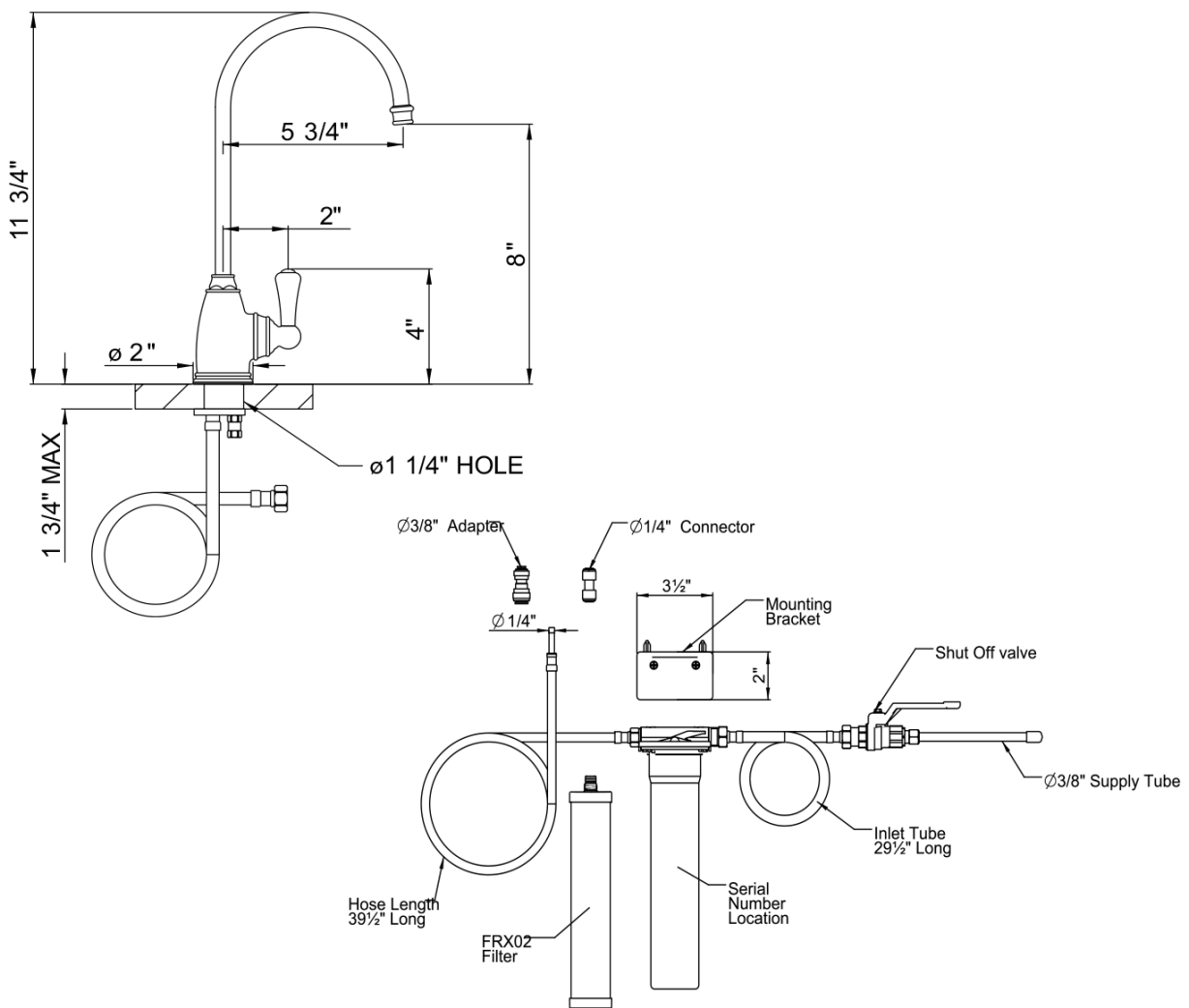
FILTER TAP

US PRODUCT SPECIFICATION

Mini Filtration Tap - Deck Mounted with Lever Handle

- Handcrafted in the UK.
- 1/4 turn ceramic disc flow control.
- Vernier insert for accurate handle alignment.
- Supplied with white ceramic lever handle.
- Flow regulated filtration for optimal performance.
- Stainless steel filter housing.
- Swiss-made Katadyn filter with activated carbon core.
- Filters down to 0.2 microns.
- Reduces chlorine, odour and bad taste.
- Heavy metal removal.
- Filter replacment every 6 months recommended.
- Available in an Aged Brass finish.

ALL UNITS IN INCHES UNLESS STATED OTHERWISE



<i>Temp Range</i>	Min 1°C / 34°F Max 70°C / 158°F	<i>Recommended Working Pressure</i>	Min 1 bar / 15 psi Max 5 bar / 75 psi
<i>Flow Rate</i>	0.5 GPM at 45 psi	<i>Packed Weight</i>	2 lb 14 15/16 oz