

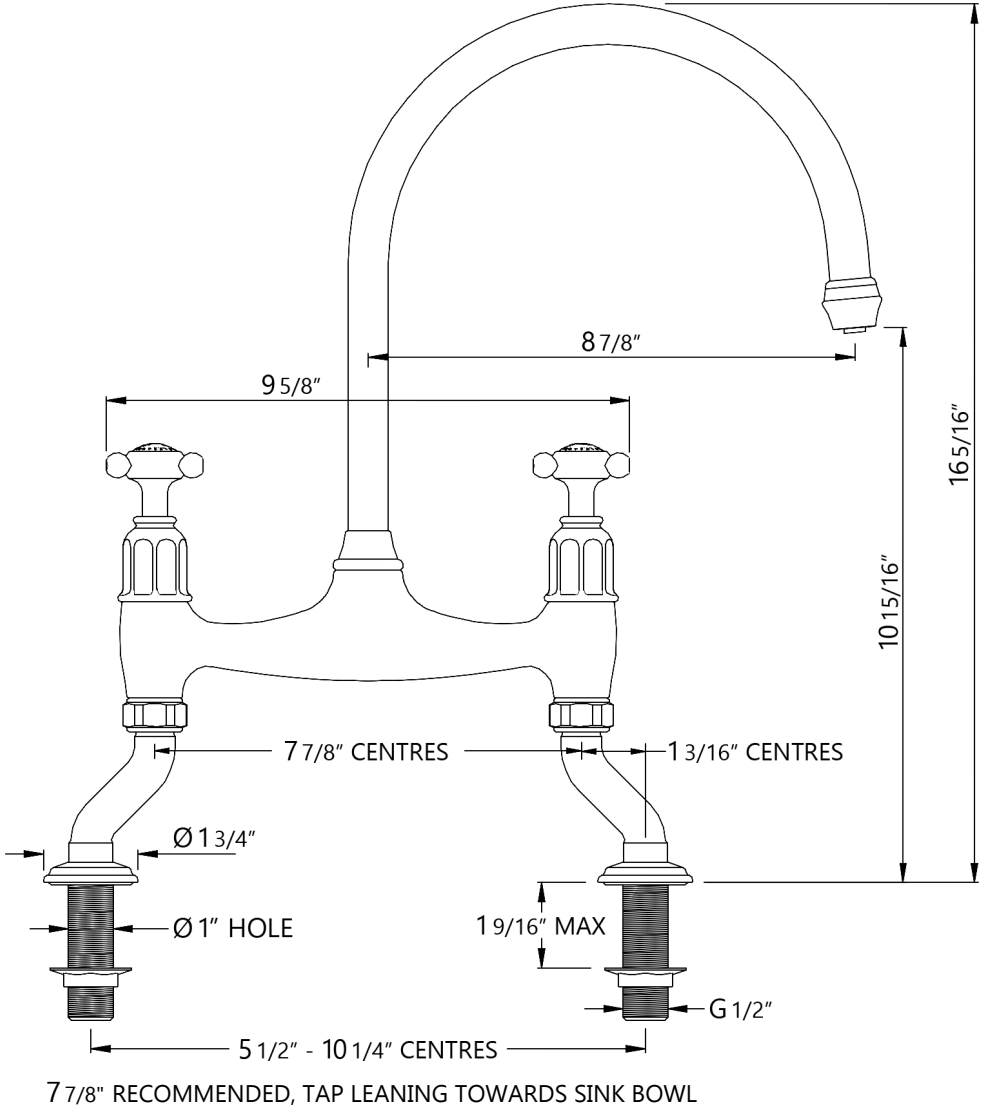
IONIAN TAP

US PRODUCT SPECIFICATION

Ionian Mixer Tap - Deck Mounted with deVOL branded Crosshead Handles

- Handcrafted in the UK.
- 1/4 turn ceramic disc flow control.
- Vernier insert for accurate handle alignment.
- Unique handle design with integral bearing ring.
- Regulated aerator single flow spout.
- Available in Aged Brass, Chrome & Nickel finishes.

ALL UNITS IN INCHES UNLESS STATED OTHERWISE



<i>Temp Range</i>	Min 1°C / 34°F Max 70°C / 158°F	<i>Recommended Working Pressure</i>	Min 0.5 bar / 7.5 psi Max 5 bar / 75 psi
-------------------	------------------------------------	-------------------------------------	---

<i>Flow Rate</i>	1.5 GPM	<i>Packed Weight</i>	7 lb 4 3/8 oz
------------------	---------	----------------------	---------------